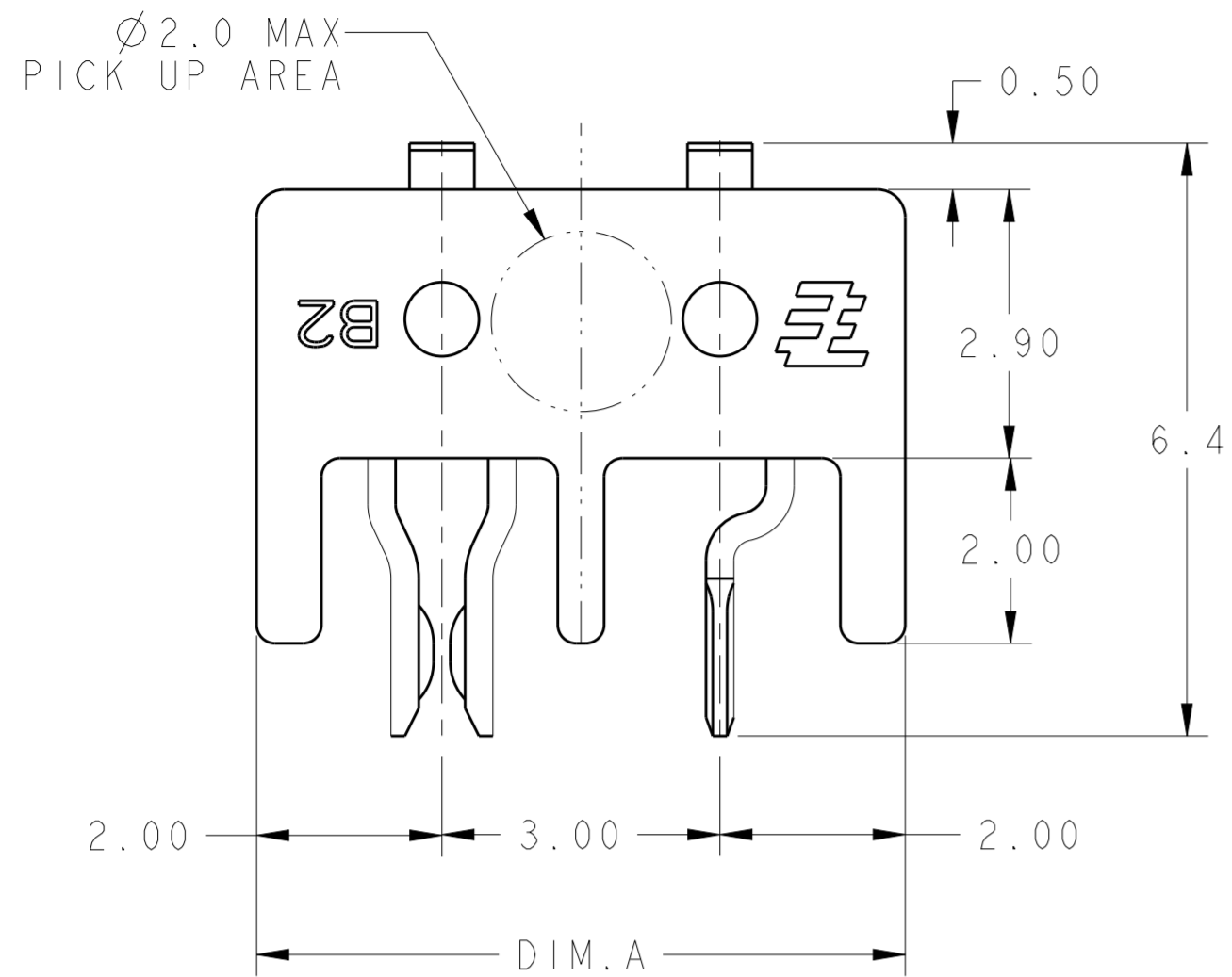


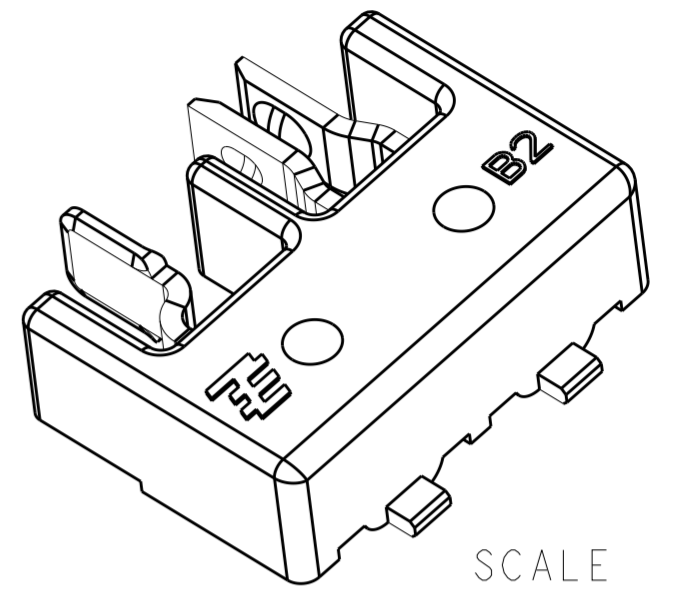
THIS DRAWING IS UNPUBLISHED. RELEASED FOR PUBLICATION 20
 © COPYRIGHT 20 BY - ALL RIGHTS RESERVED.

| LOC | | DIST | | REVISIONS | | | |
|-----|-----|---------------------------|--|-----------|------|------|--|
| P | LTR | DESCRIPTION | | DATE | DWN | APVD | |
| B | | ECR-10-011153 | | 27APR2010 | K. J | J. Z | |
| C | | ECR-11-000286 | | 6JAN2011 | K. J | X. X | |
| D | | ECR-11-009157 | | 3MAY2011 | K. J | X. X | |
| E | | REVISED PER ECR-12-008975 | | 26JUL2012 | RS | DD | |

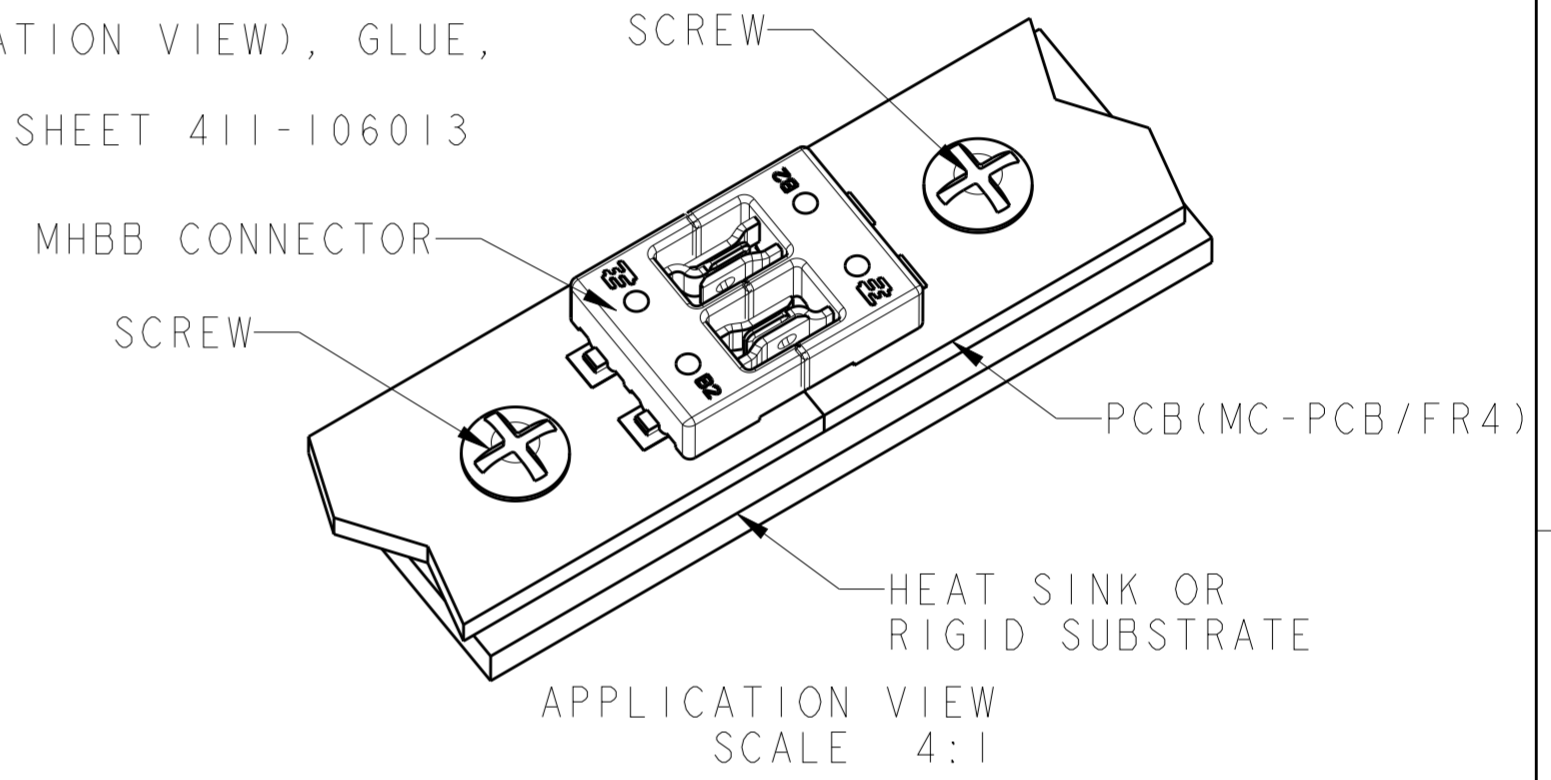
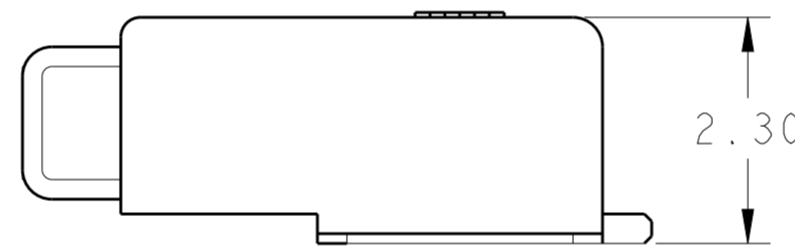
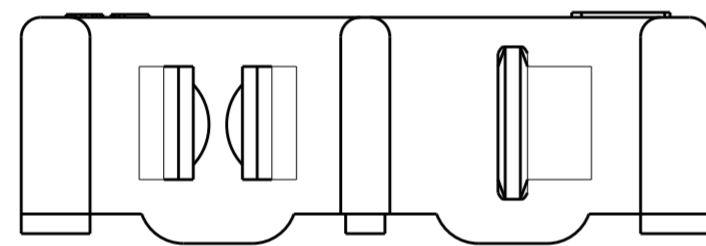


NOTES:

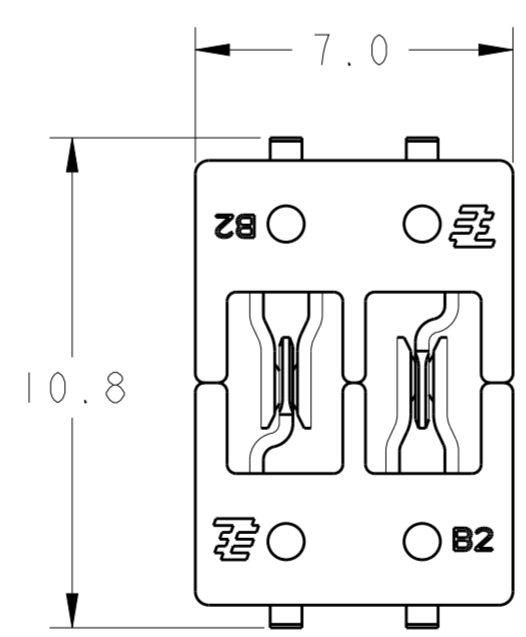
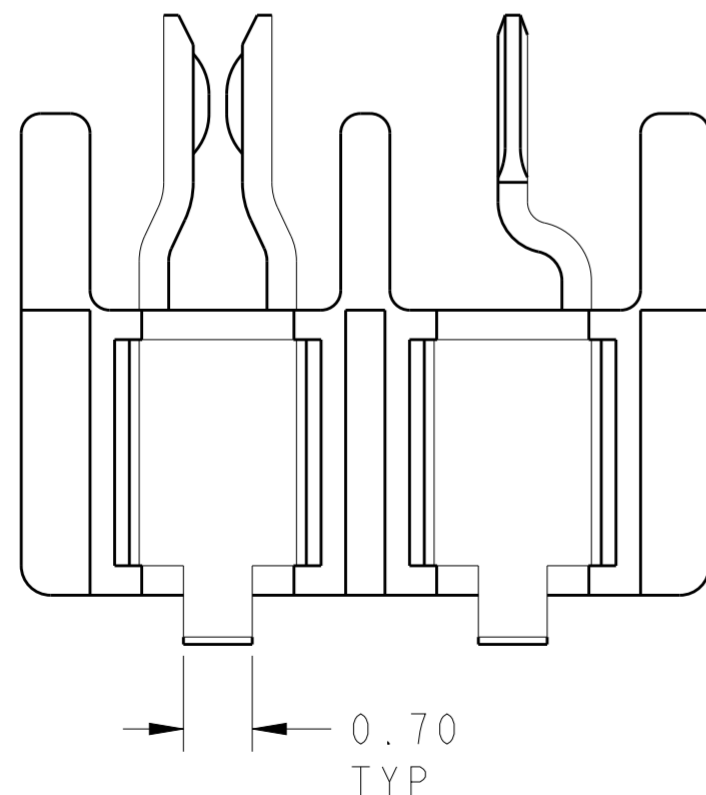
1. PACKAGED IN TAPE AND REEL PER IEA-481 SPECIFICATIONS.
2. MATERIAL AND FINISH:
 -HOUSING: THERMAL PLASTIC
 -PIN CONTACT:BRASS
 -SOCKET CONTACT:COPPER ALLOY
 -FINISH:TIN OVER NICKEL.
3. SUITABLE FOR SMT PROCESS.
4. TO ENSURE THE FUNCTION OF THE MINIATURE HERMAPHRODITIC B-B CONNECTORS, THE PCB WITH MINIATURE HERMAPHRODITIC B-B CONNECTORS SHOULD BE FIXED ON THE HEAT SINK OR SOME OTHER RIGID SUBSTRATE.
 CUSTOMER CAN USE SCREW (SHOW AS APPLICATION VIEW), GLUE, OR SOME OTHER METHOD TO FIX THE PCBs.
 FOR DETAIL PLEASE REFER TO INSTRUCTION SHEET 411-106013



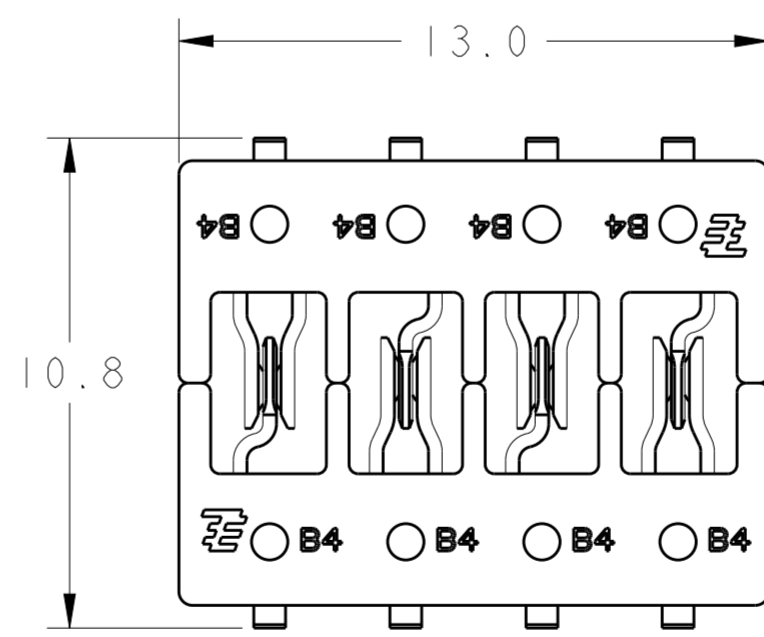
SCALE 10:1



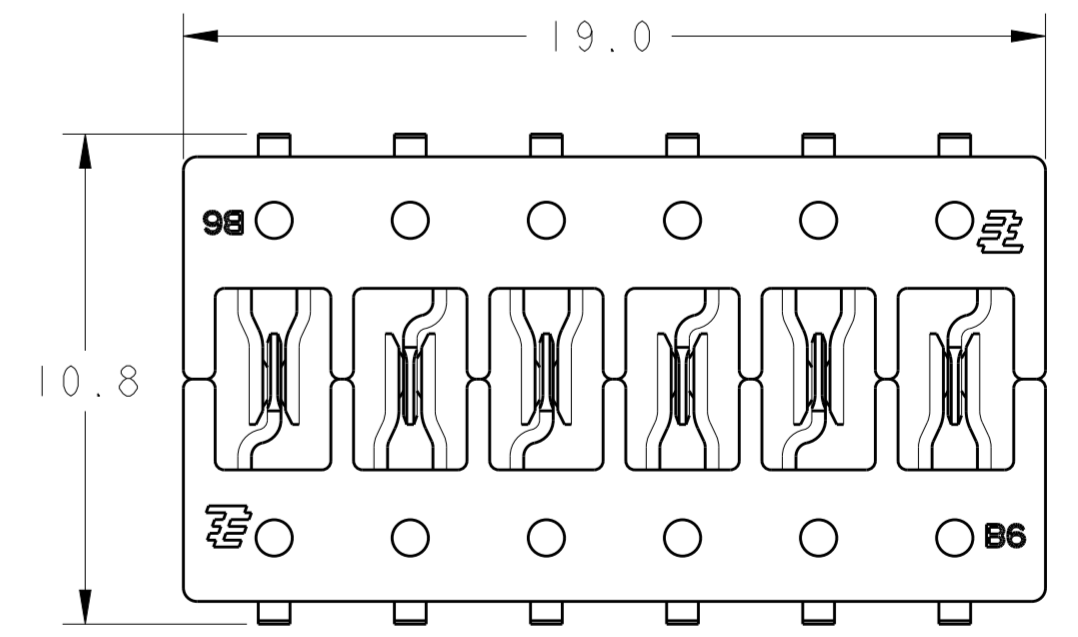
APPLICATION VIEW
SCALE 4:1



1971567-1(2 MATING PARTS)
SCALE 6:1



1971567-2(2 MATING PARTS)
SCALE 6:1



1971567-3(2 MATING PARTS)
SCALE 6:1

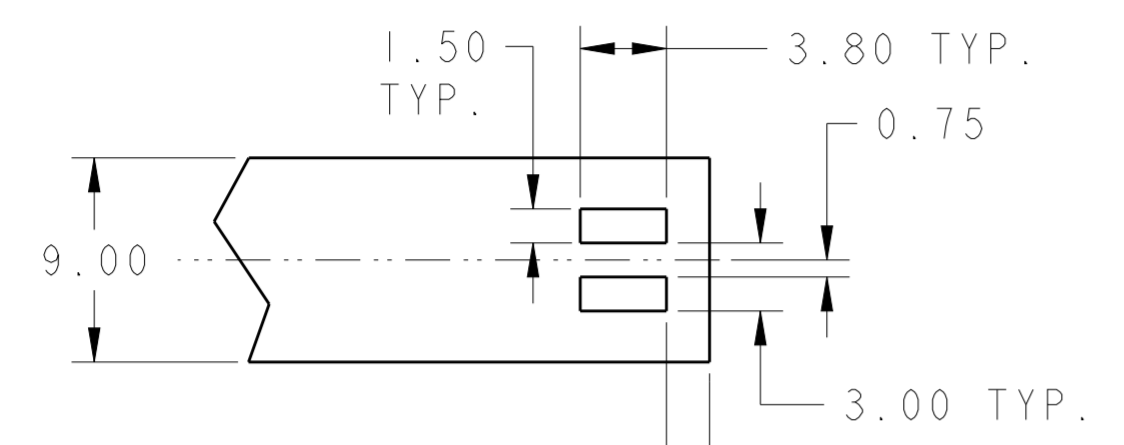
| | | | |
|---------|----------|-------|-----------|
| NATURAL | 6P | 19.0 | 1971567-3 |
| NATURAL | 4P | 13.0 | 1971567-2 |
| NATURAL | 2P | 7.0 | 1971567-1 |
| COLOR | POSITION | DIM A | PART NO |

THIS DRAWING IS A CONTROLLED DOCUMENT.

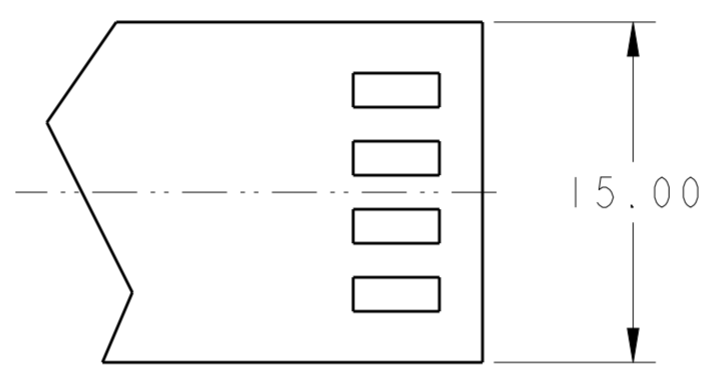
| | | | |
|-------------------|---|-----------------------------|---|
| DIMENSIONS: mm | TOLERANCES UNLESS OTHERWISE SPECIFIED: 0 PLC ± 1 PLC ±0.5 2 PLC ±0.13 3 PLC ±0.013 4 PLC ±0.0001 ANGLES ± FINISH | DWN KEVIN JIANG 23MAY2011 | TE Connectivity |
| | | CHK TRACY TAO 23MAY2011 | |
| MATERIAL | | APVD XIANG XU 23MAY2011 | NAME |
| | | PRODUCT SPEC 108-106050 | MINIATURE HERMAPHRODITIC BOARD TO BOARD CONNECTOR |
| | | APPLICATION SPEC 114-106050 | SIZE CAGE CODE DRAWING NO RESTRICTED TO |
| | | WEIGHT | A200779 C-1971567 |
| | | Customer Drawing | SCALE 3:1 SHEET 1 OF 2 REV E |

THIS DRAWING IS UNPUBLISHED. RELEASED FOR PUBLICATION 20
 © COPYRIGHT 20 BY - ALL RIGHTS RESERVED.

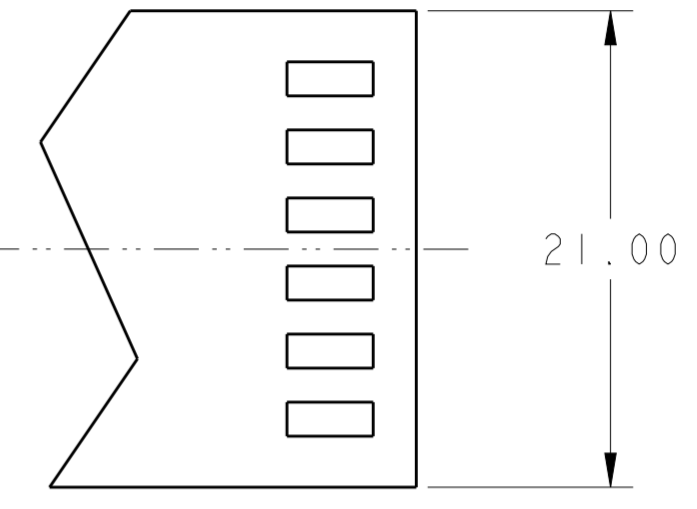
| LOC | | DIST | | REVISIONS | | | |
|-----|-----|-------------|------|-----------|------|--|--|
| P | LTR | DESCRIPTION | DATE | DWN | APVD | | |
| - | - | SEE SHEET 1 | - | - | - | | |



(TYPE 1: HORIZONTALLY MATED ONLY)
 (TYPE 2: CAN BE BOTH VERTICALLY AND HORIZONTALLY MATED)
 RECOMMENDED PCB LAYOUT FOR 1971567-1 (±0.10mm)
 SCALE 3:1

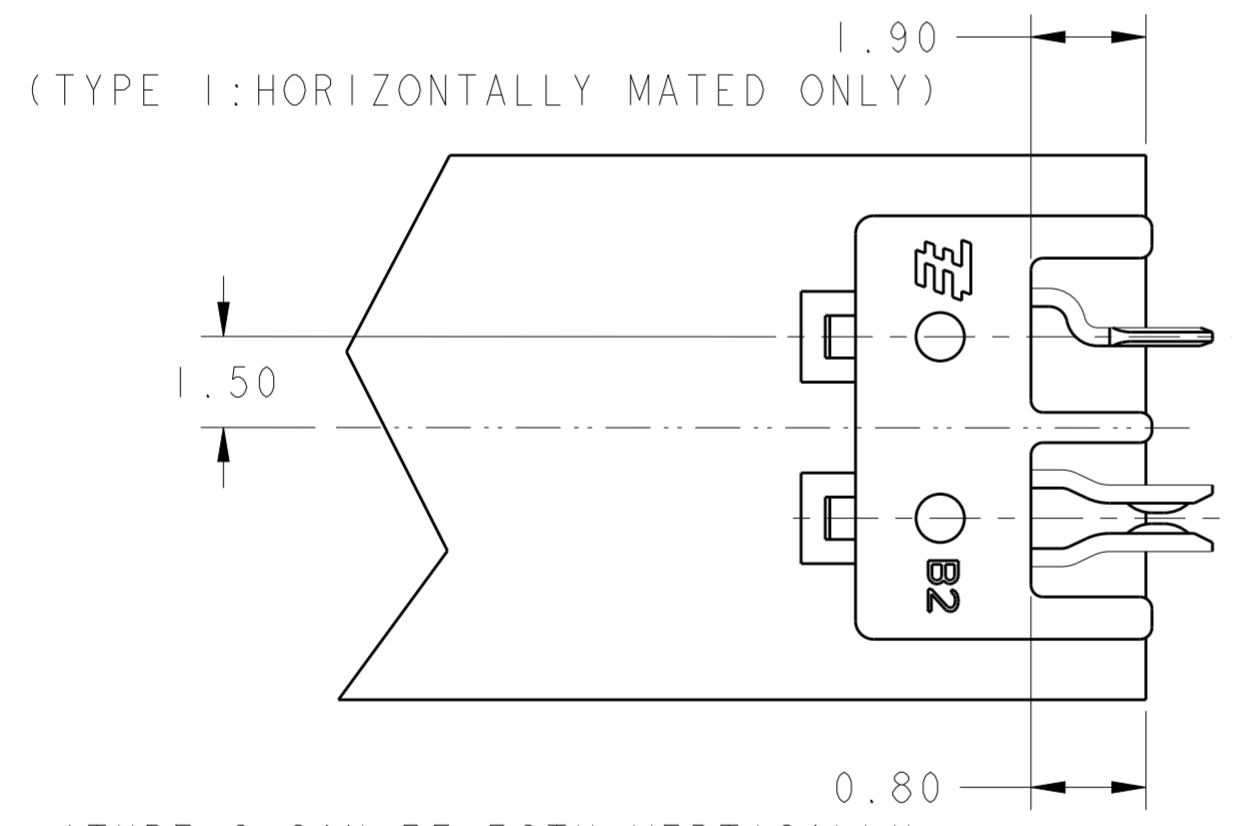


RECOMMENDED PCB LAYOUT FOR 1971567-2 (±0.10mm)
 SCALE 3:1

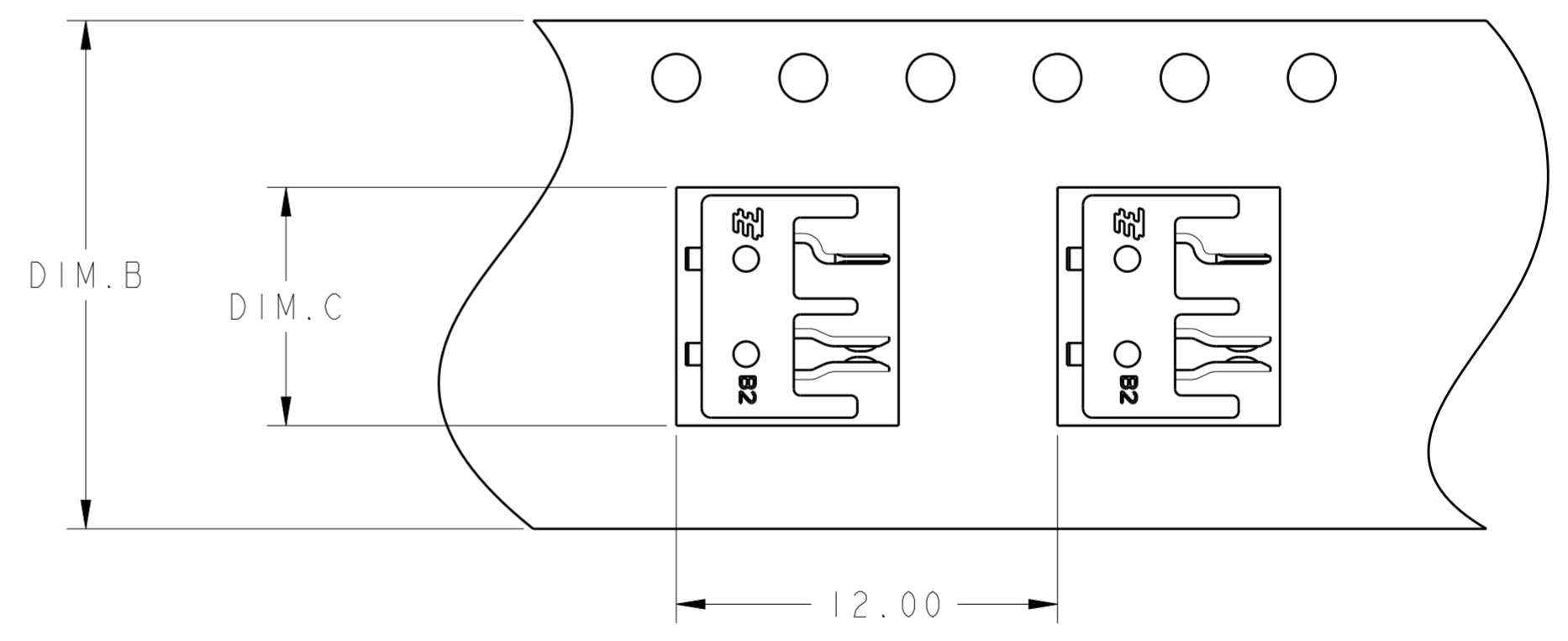


RECOMMENDED PCB LAYOUT FOR 1971567-3 (±0.10mm)
 SCALE 3:1

ALL FEATURES AND DIMENSIONS OF PCB LAYOUT FOR 1971567-2, 1971567-3 ARE THE SAME AS PCB LAYOUT FOR 1971567-1 EXCEPT AS SHOWN



(TYPE 1: HORIZONTALLY MATED ONLY)
 (TYPE 2: CAN BE BOTH VERTICALLY AND HORIZONTALLY MATED)
 SOLDERING LAYOUT (±0.10mm)
 SCALE 8:1



TO BE PACKAGED AS SHOWN (±0.10mm)
 SCALE 5:1

| | | | |
|----------|-------|-------|-----------|
| 6P | 19.30 | 32.00 | 1971567-3 |
| 4P | 13.30 | 24.00 | 1971567-2 |
| 2P | 7.30 | 16.00 | 1971567-1 |
| POSITION | DIM.C | DIM.B | FOR P/N |

| | | | | |
|---|--|---------------------------------|---|------------------------|
| THIS DRAWING IS A CONTROLLED DOCUMENT. | | DWN KEVIN JIANG 23MAY2011 | TE Connectivity | |
| DIMENSIONS: mm | | CHK TRACY TAO 23MAY2011 | | |
| TOLERANCES UNLESS OTHERWISE SPECIFIED: | | APVD XIANG XU 23MAY2011 | NAME | |
| 0 PLC ± 1 PLC ±0.5 2 PLC ±0.13 3 PLC ±0.013 4 PLC ±0.0001 ANGLES ± FINISH | | PRODUCT SPEC 108-106050 | MINIATURE HERMAPHRODITIC BOARD TO BOARD CONNECTOR | |
| MATERIAL | | APPLICATION SPEC 114-106050 | SIZE A200779 | CAGE CODE C-1971567 |
| | | WEIGHT | DRAWING NO | RESTRICTED TO |
| | | Customer Drawing | SCALE 3:1 | SHEET 2 OF 2 REV E |

Mouser Electronics

Authorized Distributor

Click to View Pricing, Inventory, Delivery & Lifecycle Information:

[TE Connectivity:](#)

[1971567-3](#)